

## **Green Stuff Industries**

Radio Telescope, 10mm Scale  
RTEL-10mm

Listening to the skies for vital information this radio telescope kit is an excellent way to visually punch-up your tabletop war games. It would make a perfect central bunker objective or control station for orbital defenses! With the dish pointed straight up this kit measures 7.25" wide by 7.25" tall by 4.10" deep! Designed for use with 10mm game systems.

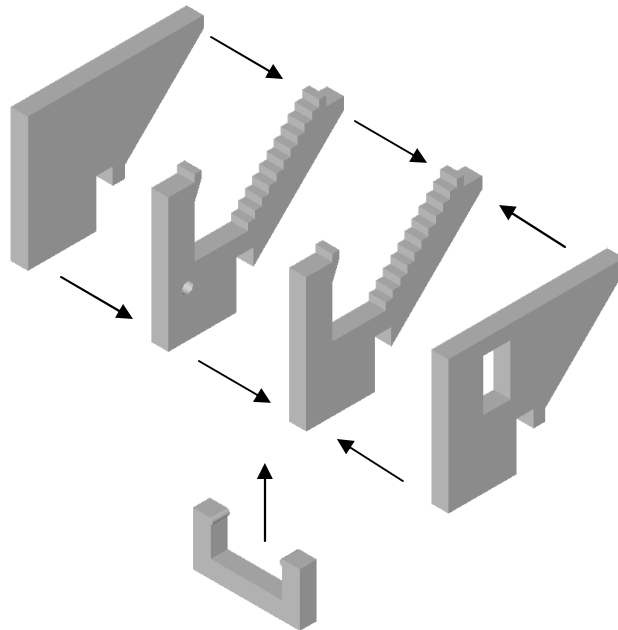
The kit includes the flexible acrylic dish and the mounting nut & screw for same. You will need a hobby knife, a fine file, and PVA glue to assemble this kit.

### **READ THE ENTIRE INSTRUCTION SET BEFORE BEGINNING ASSEMBLY!!!**

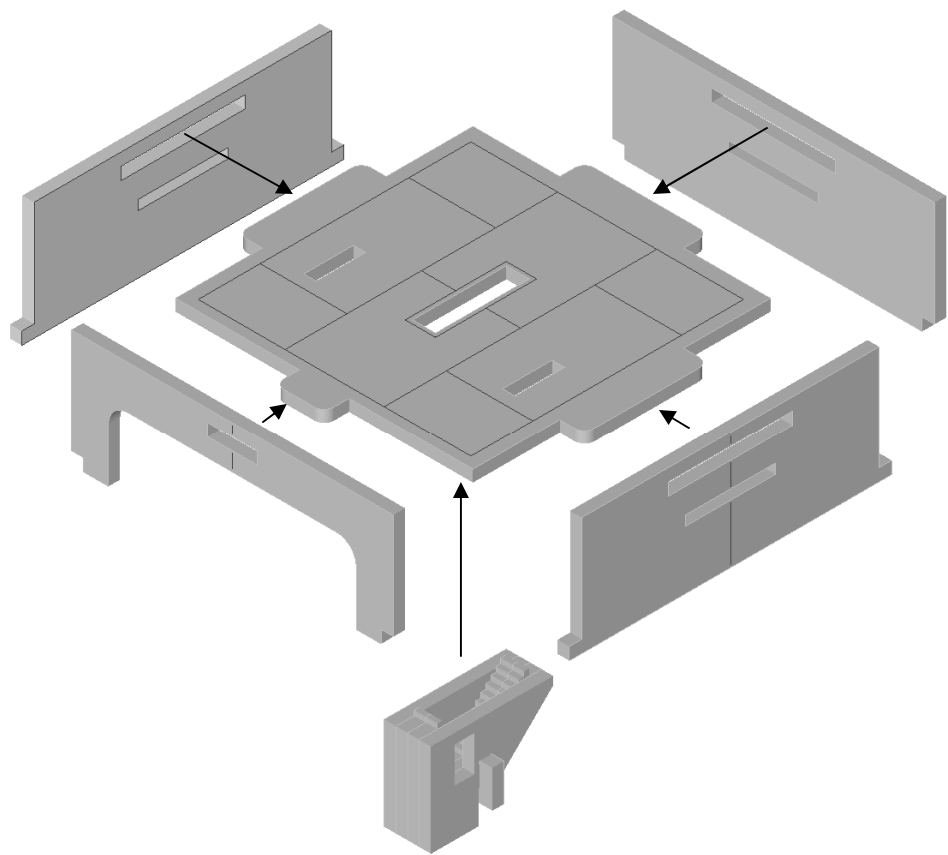
**DO NOT SAND THE ACRYLIC!** The engrave layer is *very* thin and easily damaged with tools and abrasives.

Questions or comments can be directed to  
[tentaclemaker@gmail.com](mailto:tentaclemaker@gmail.com)  
[greenstuffindustries.com](http://greenstuffindustries.com)

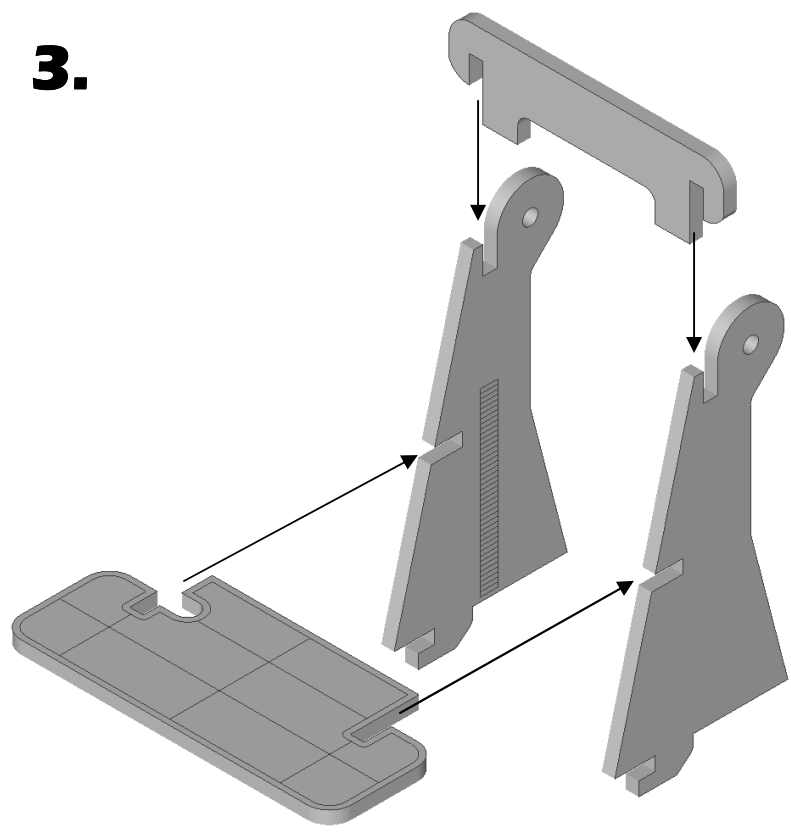
**1.**



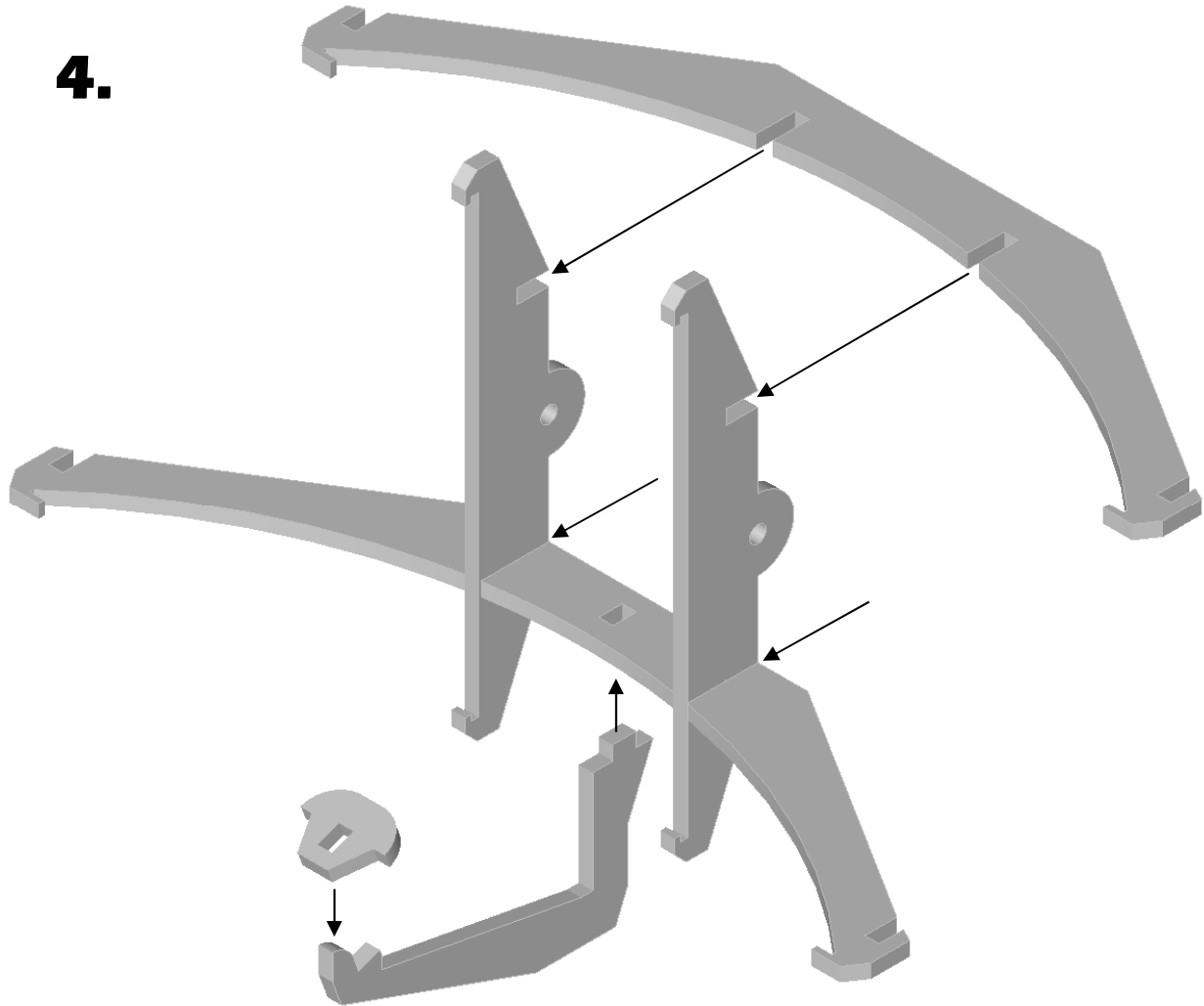
**2.**



**3.**



**4.**



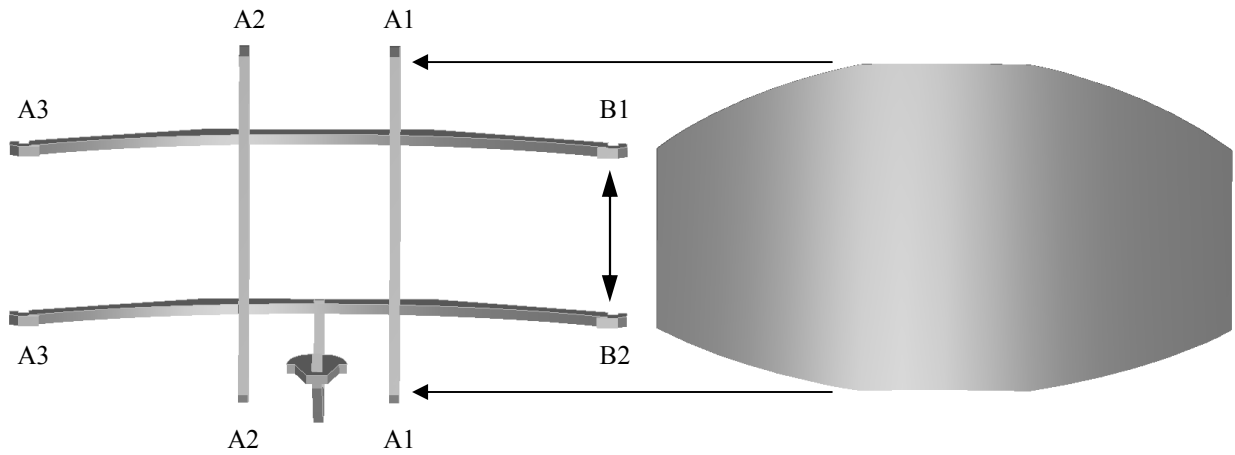
**NOTE: PAINTING HERE IS RECOMMENDED!**

Because all of the major assemblies (dish frame, tower, and base structure) are complete at this point and painting acrylic is difficult, base coating and/or fully painting is easiest if done before going any further.

Painting the acrylic is not recommended. But, if you must paint the acrylic, use a base coat paint that bonds to acrylic readily.

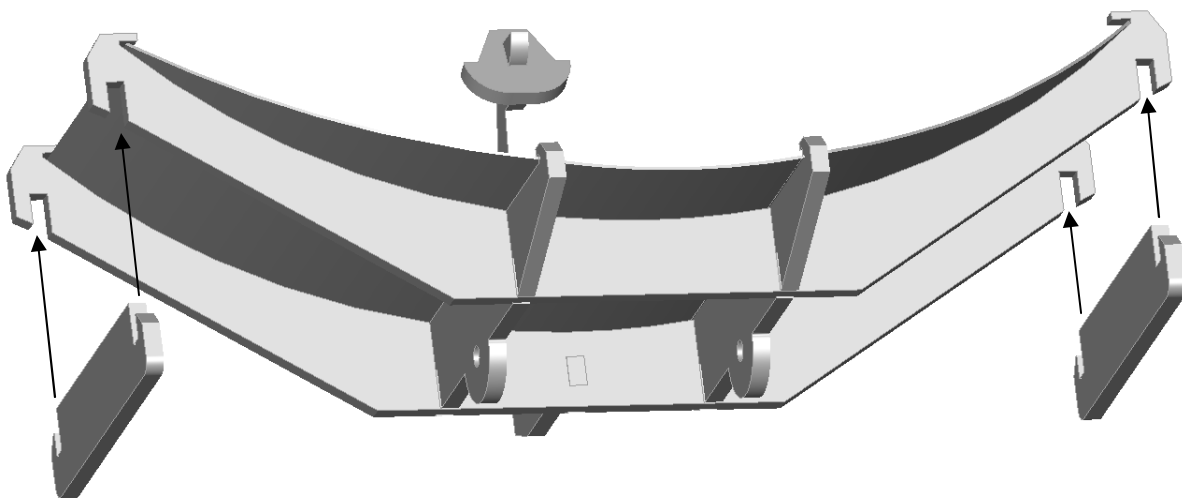
**DO NOT SAND THE ACRYLIC!** The engrave layer is *very* thin and easily damaged with tools and abrasives.

# 5.

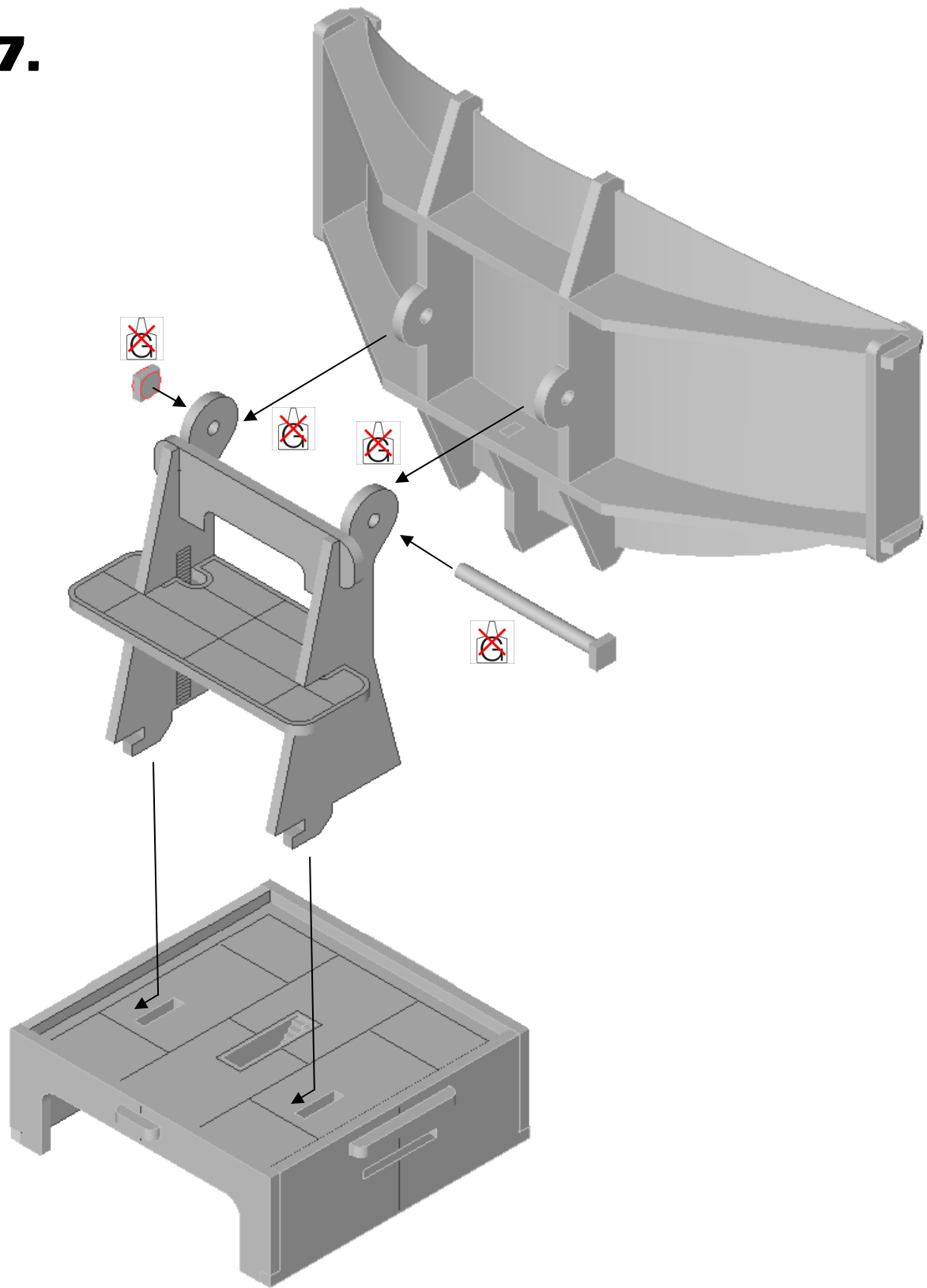


Mount the acrylic dish piece by first carefully sliding it from right to left under the retaining pieces at A1. Continue sliding left under both A2's until the leftmost edge of the dish is beneath both A3's. Then gently spread the frame at B1 and B2 until you can slide both B retainers over the rightmost edge of the dish piece.

# 6.



**7.**



**Finished!**

