

## Green Stuff Industries

Pyramid, 10mm Scale  
PYRA-10mm

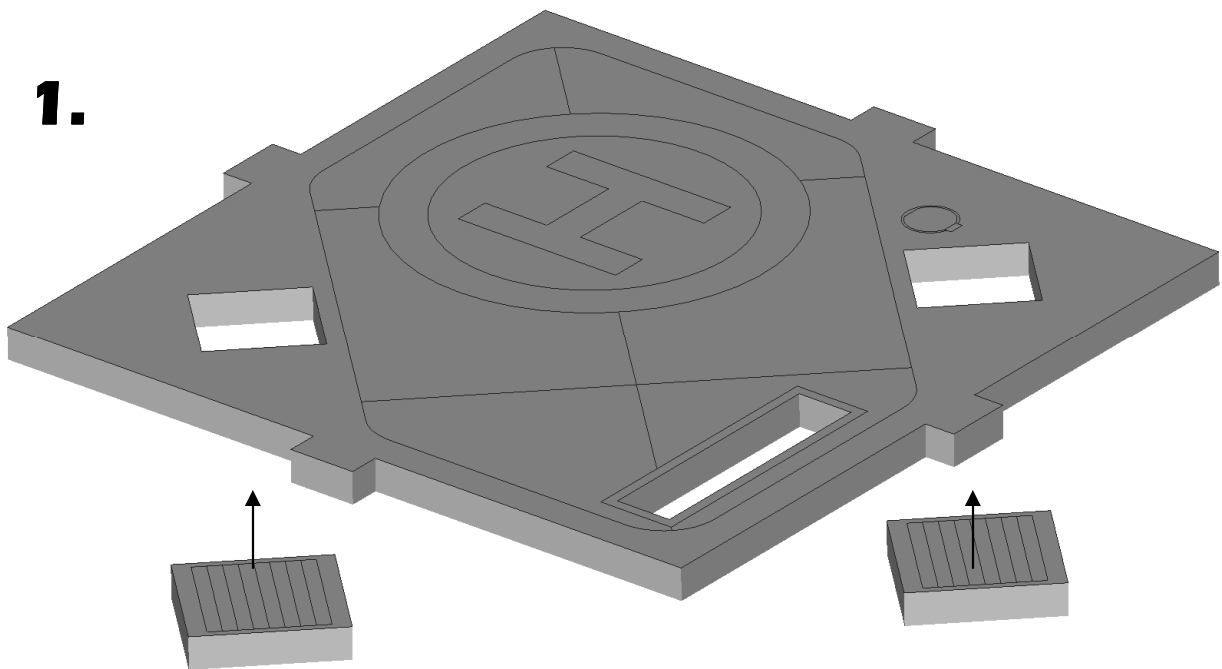
This very modern pyramid building would look great housing a VIP to be extracted or vital data store to be accessed! This very sturdy, yet inexpensive, structure is engraved Acrylic sheet over an MDF frame. Assembly and painting is a snap! The structure measures approximately 6.0" square by 2.8" tall assembled! Designed for use with 10mm game systems.

You will need a hobby knife, a fine file, PVA glue for assembling the wooden MDF pieces and Cyanoacrylate (Super) glue and fine sandpaper to attach the Acrylic facade to the structure.

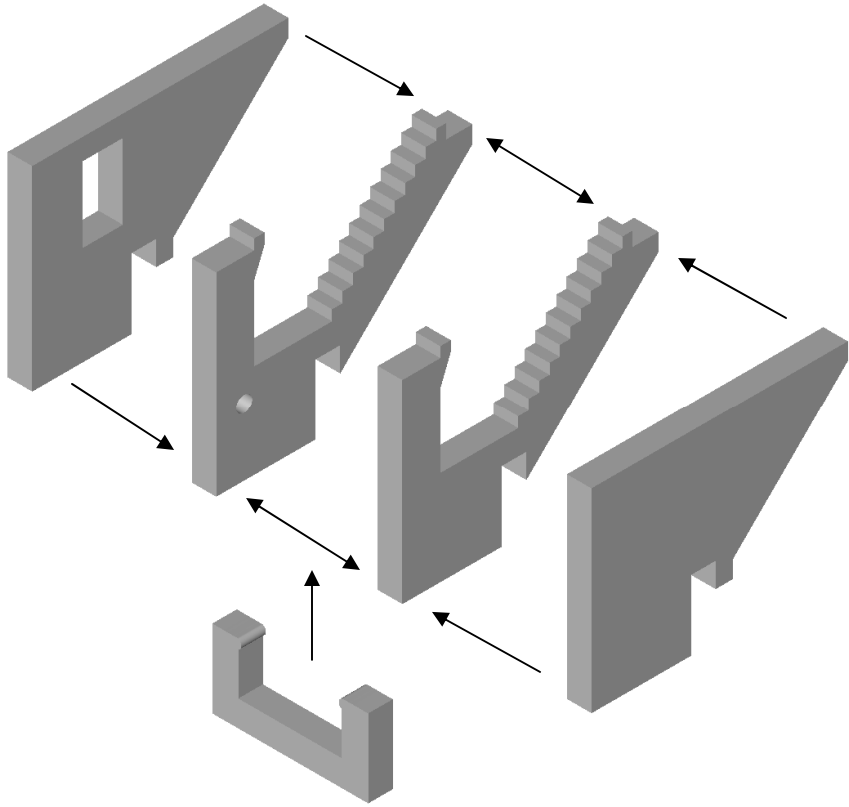
### **READ THE ENTIRE INSTRUCTION SET BEFORE BEGINNING ASSEMBLY!!!**

**DO NOT SAND THE ENGRAVED SIDE OF THE ACRYLIC!** The engraved layer is *very* thin and easily damaged with tools and abrasives. You can gently sand the back side of the Acrylic pieces with fine sandpaper as this assists in adhesion.

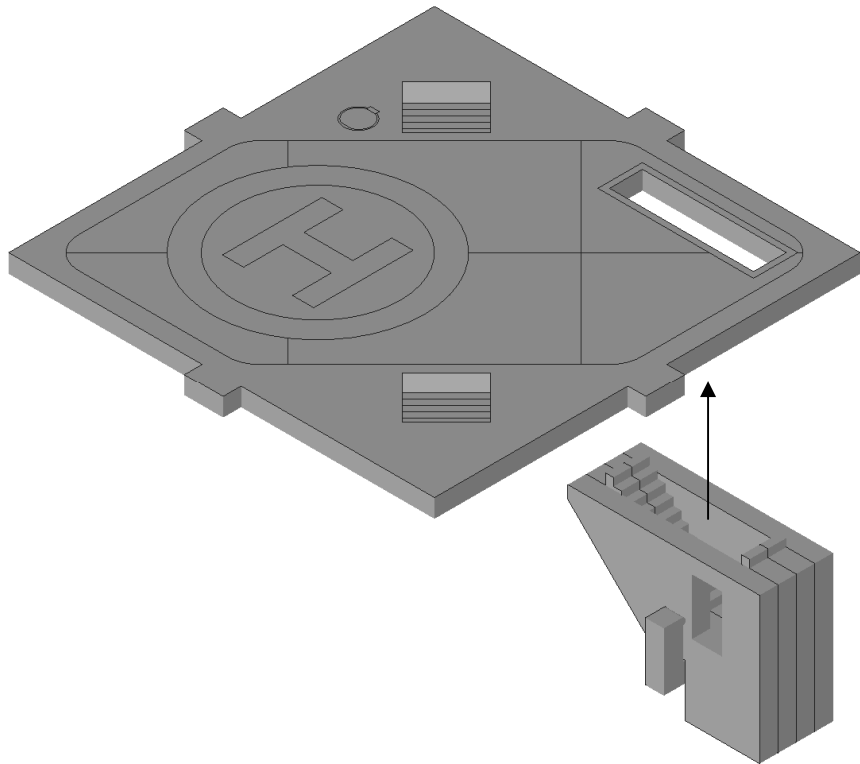
Questions or comments can be directed to  
[tentaclemaker@gmail.com](mailto:tentaclemaker@gmail.com)  
[greenstuffindustries.com](http://greenstuffindustries.com)



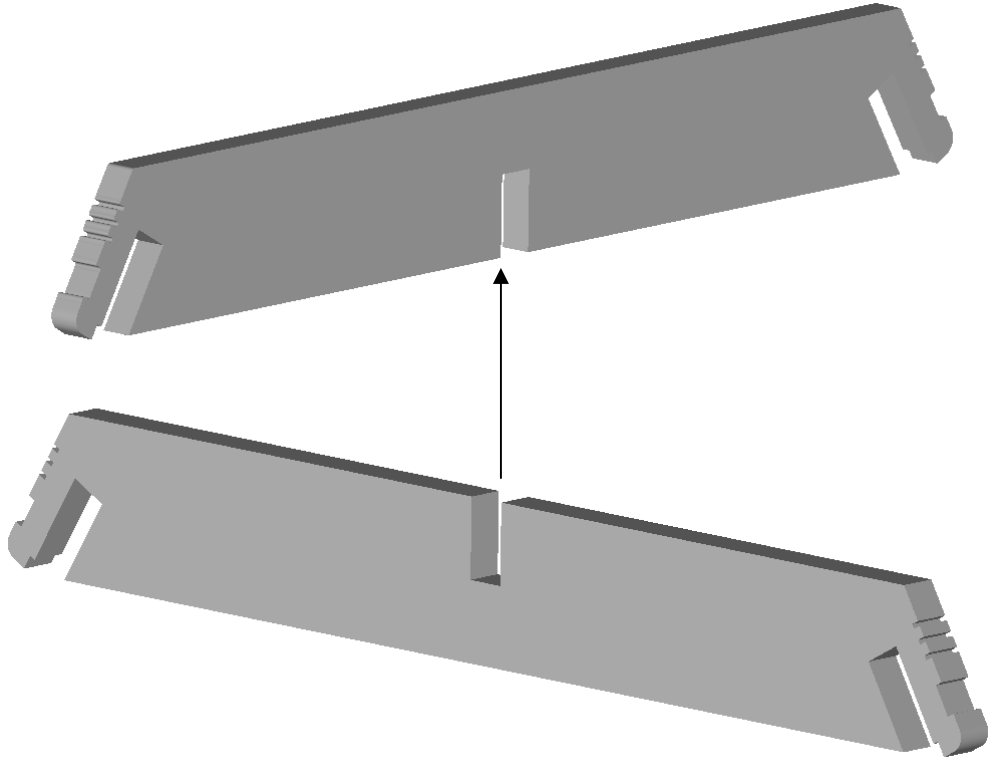
**2.**



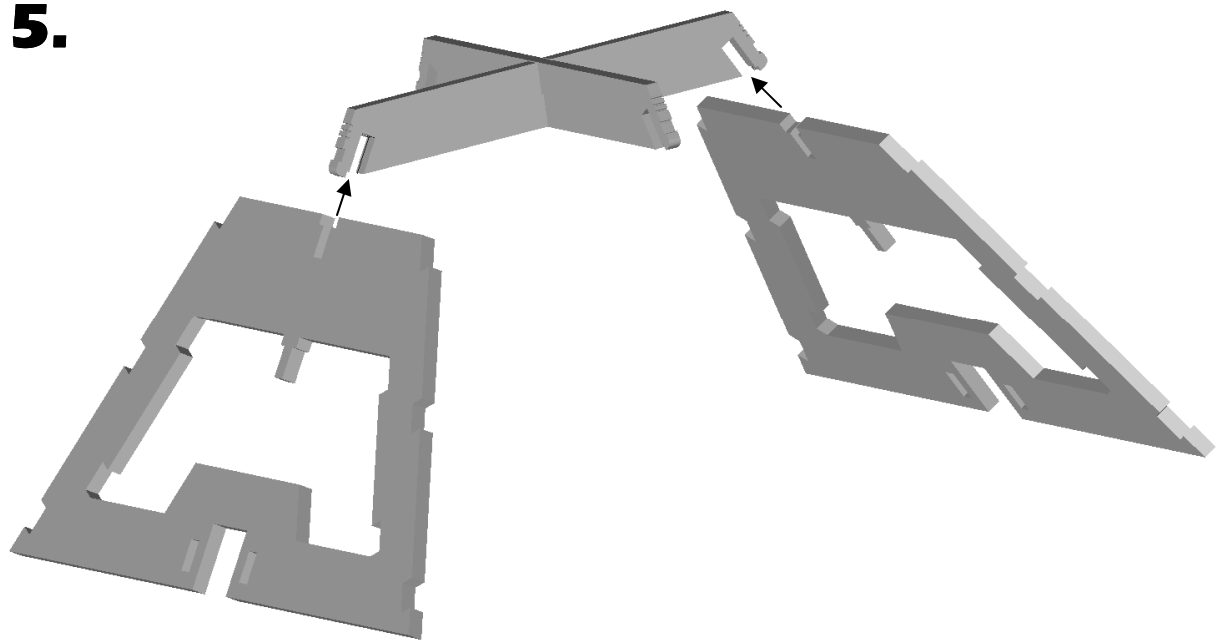
**3.**



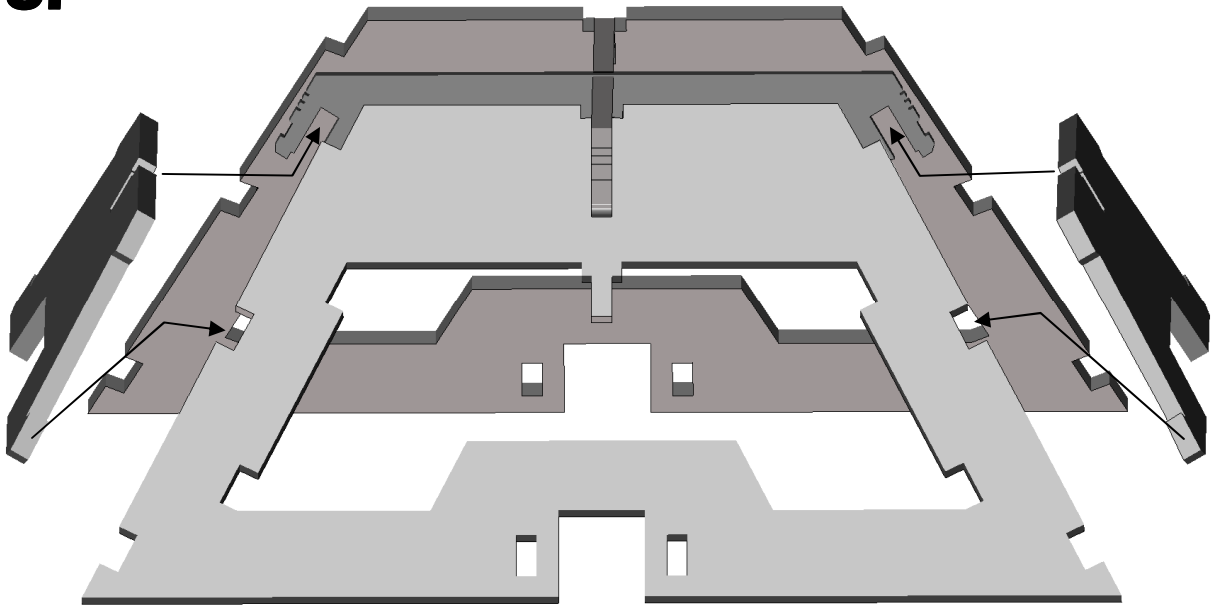
**4.**



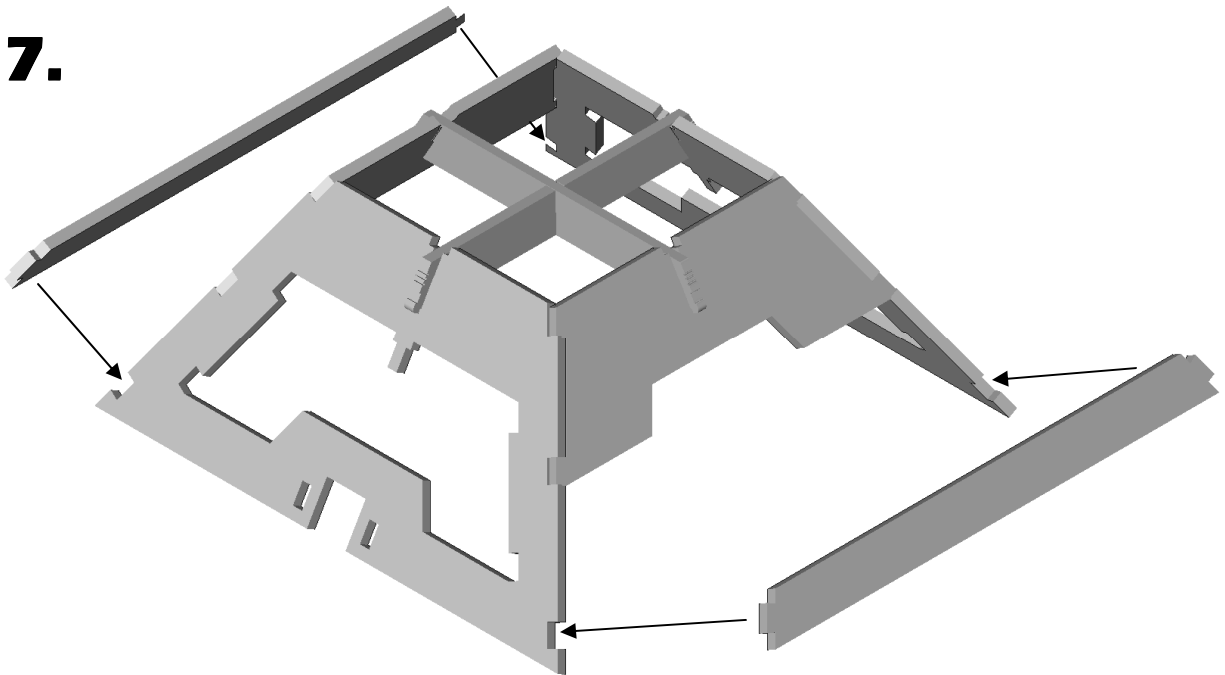
**5.**



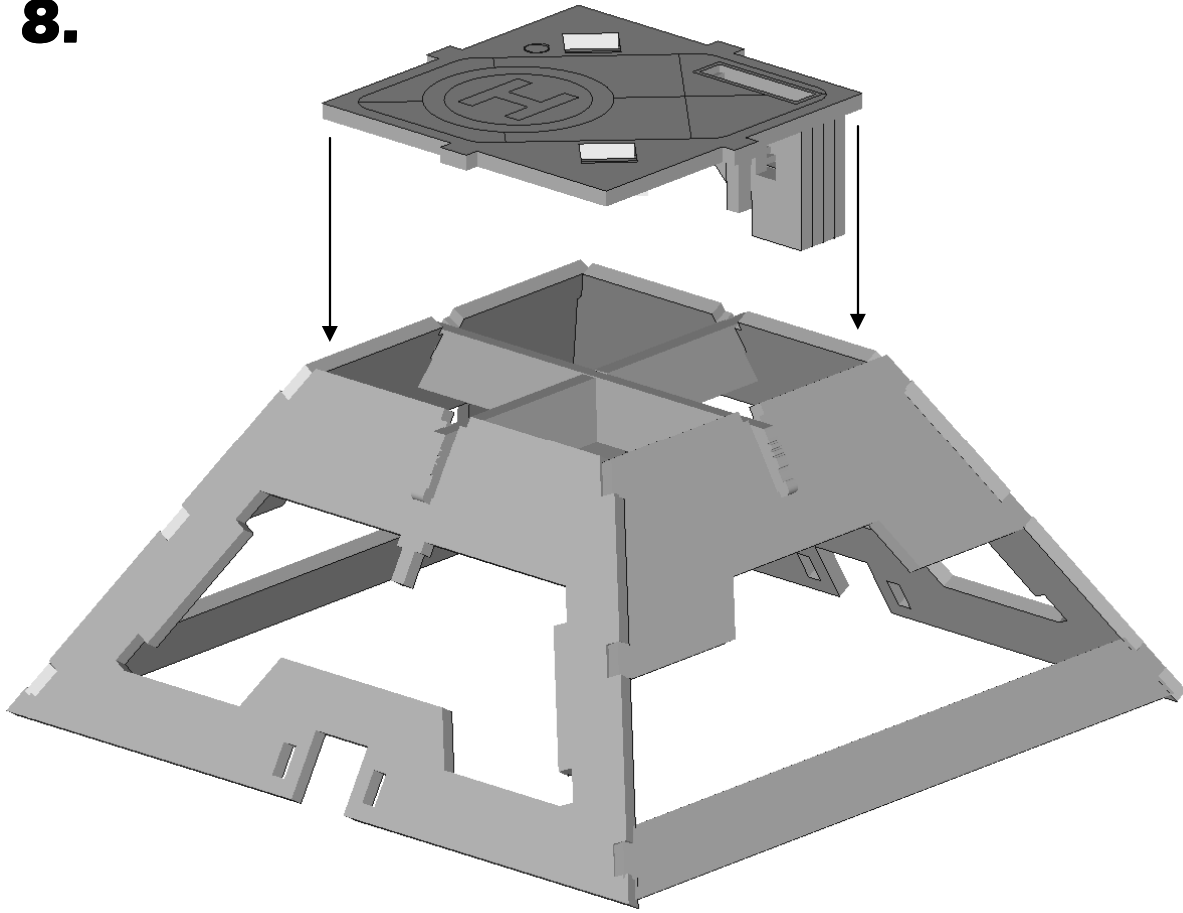
**6.**



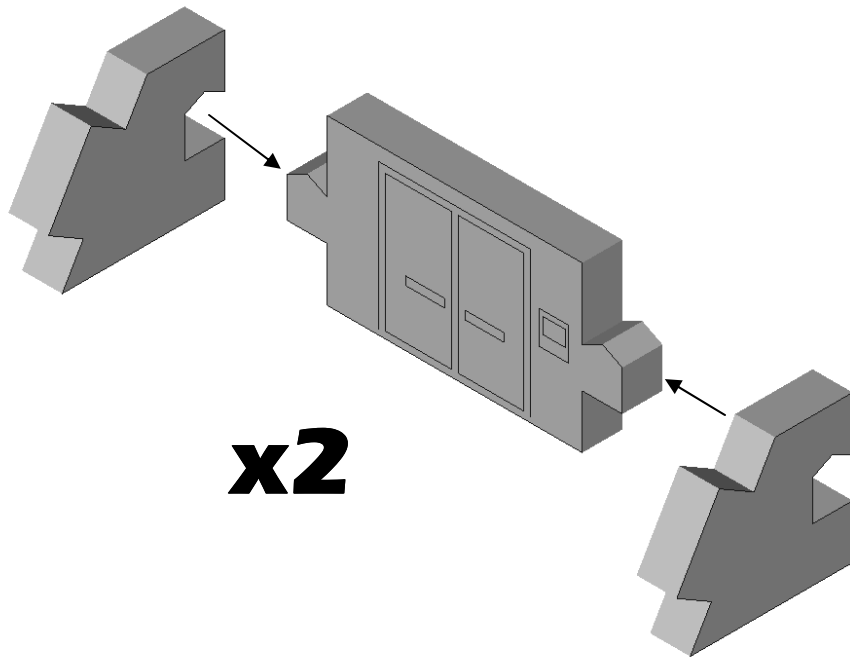
**7.**



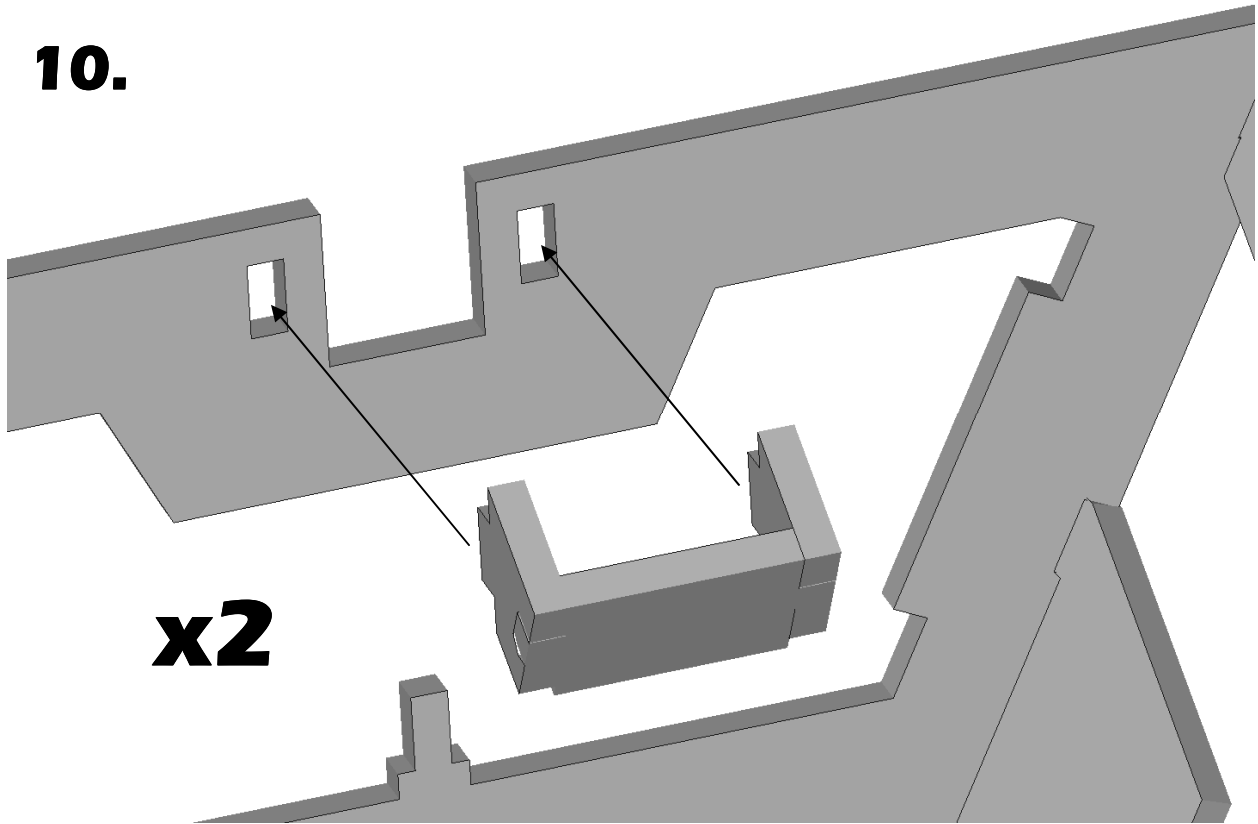
**8.**



**9.**

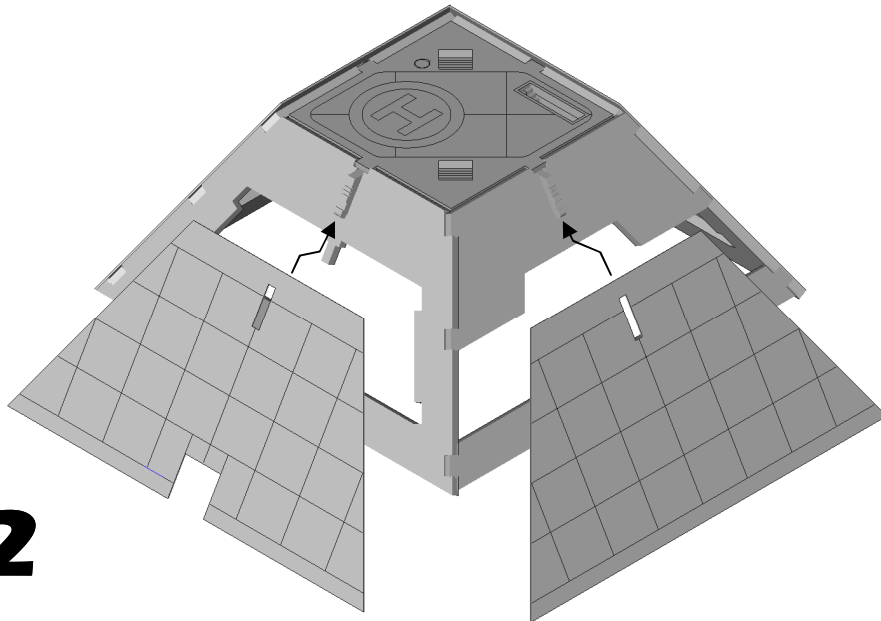


**10.**



**x2**

**11.**



**x2**

Lightly sand the back side of the 4 Acrylic sheets before installation. The sheets will fit over the MDF piece and slide up into place, slightly. Line up the sheet and then gently bend up the plastic to glue underneath.

**Finished!**

